

Installation and Operation Manual

AEV Series

Air Exchanger Ventilator

PARTS IN THE BOX

Air Exchanger, 1 pc
MDEH1 Dehumidistat, 1 pc
Operation and Installation Manual, 1 pc



Your ventilation system should be installed in conformance with the appropriate provincial requirements or, in the absence of such requirements, with the current edition of the National Building Code, and / or ASHRAE's "Good Engineering Practices".






United States

10048 Industrial Blvd., Lenexa, KS, 66215
Tel.: 800.747.1762 • Fax: 800.487.9915

Canada

50 Kanalfakt Way, Bouctouche, NB, E4S 3M5
Tel.: 800.565.3548 • Fax: 877.747.8116

Fantech reserves the right to modify, at any time and without notice, any or all of its products' features, designs, components and specifications to maintain their technological leadership position.
Please visit our website www.fantech.net for more detailed technical information.

				
Note	Warning/ Important note	Information	Technical information	Practical tip
Note	Avertissement/ Note importante	Information	Information technique	Conseil pratique



PLEASE READ THIS MANUAL BEFORE INSTALLING UNIT



VEUILLEZ LIRE LE MANUEL AVANT D'INSTALLER L'APPAREIL



Products are designed and manufactured to provide reliable performance, but they are not guaranteed to be 100% free of defects. Even reliable products will experience occasional failures, and this possibility should be recognized by the user. If these products are used in a life support ventilation system where failure could result in loss or injury, the user should provide adequate back-up ventilation, supplementary natural ventilation or failure alarm system, or acknowledge willingness to accept the risk of such loss or injury.

Your ventilation system should be installed in accordance with the local building code that is in effect, in absence of such requirements, it is recommended to check with local authorities having jurisdiction in your area prior to installing this product.



Les produits sont conçus et fabriqués pour fournir une performance fiable, mais ils ne sont pas garantis à 100% sans défaut. Même les produits ont des pannes occasionnelles et cette possibilité devrait être reconnue par l'utilisateur. Si ces produits sont utilisés dans un système de ventilation qui maintien des fonctions vitales où une défaillance pourrait entraîner des pertes ou des blessures, l'utilisateur doit fournir une ventilation de secours adéquate, une ventilation supplémentaire naturelle, un système d'alarme de défaillance ou d'accepter les risques de pertes ou de blessures.

Votre système de ventilation doit être installé en conformité avec le code du bâtiment local qui est en vigueur, en l'absence de telles exigences, il est recommandé de vérifier auprès des autorités locales ayant juridiction dans votre région avant d'installer ce produit.

Table of content

DETERMINING YOUR AIRFLOW REQUIREMENT	4
OPERATION	5
OPTIONAL CONTROL	5
INSTALLATION EXAMPLES	6
EXTERIOR DUCTING INSTALLATION	
Weatherhood Location	7
Installing the ducting to the weatherhood	7
INTERIOR DUCTING INSTALLATION	
Exhaust Air Ducting	8
Dedicated Installation for Existing Home	8
AEV INSTALLATION	
Location	9
Mounting	9
AIRFLOW BALANCING	10
PITOT TUBE BALANCING PROCEDURE	11
MAINTENANCE	12
WIRING DIAGRAM	13
TROUBLESHOOTING	14
AEV MAINTENANCE CHART	15
PARTS LIST	31

Determining your airflow requirement

Room Count Method

Room classification	Number of rooms	CFM (L/s)	CFM Required
Master bedroom		x 10 L/s (20 CFM)	=
Basement	yes or no	if yes add 10 L/s (20 CFM) if no = 0	=
Bedrooms		x 5 L/s (10 CFM)	=
Living room		x 5 L/s (10 CFM)	=
Others		x 5 L/s (10 CFM)	=
Kitchen		x 5 L/s (10 CFM)	=
Bathroom		x 5 L/s (10 CFM)	=
Laundry room		x 5 L/s (10 CFM)	=
Utility room		x 5 L/s (10 CFM)	=
Total Ventilation Requirements (add last column)			=

1 CFM = 0.47 L/s
1 L/s = 2.13 CFM

ASHRAE method

Ventilation Air requirements

Floor area		Bedrooms									
Ft ²	m ²	1		2		3		4		5	
		CFM	L/s	CFM	L/s	CFM	L/s	CFM	L/s	CFM	L/s
<500	<47	30	128	38	18	45	21	53	25	60	28
501-1000	47-93	45	21	53	24	60	28	68	31	75	35
1001-1500	94-139	60	28	68	31	75	35	83	38	90	42
1501-2000	140-186	75	35	83	38	90	42	98	45	105	49
2001-2500	187-232	90	42	98	45	105	49	113	52	120	56
2501-3000	233-279	105	49	113	52	120	56	128	59	135	63
3001-3500	280-325	120	56	128	59	135	63	143	66	150	70
3501-4000	326-372	135	63	143	66	150	70	158	73	165	77
4001-4500	373-418	150	70	158	73	165	77	173	80	180	84
4501-5000	419-465	165	77	173	80	180	84	188	87	195	91

* ASHRAE 62.2-2016 Table 4.1, Ventilation and Acceptable Indoor Air Quality in Low-Rise Residential Buildings.

Operation

An Air Exchangers (AEV) is designed to bring fresh air into a building while exhausting an equal amount of stale air. During the winter months, the incoming cold fresh air is warmed by utilizing the heat recovered from the stale air before it is exhausted to the outdoors. During summer months when the indoor space is air conditioned, the AEV will help in cooling the incoming fresh air with the stale air that is being exhausted.

Our AEV's are designed to run continuous or on intermittent, giving the homeowner complete control over their air quality. Continuous low speed ventilation is recommended, which will help eliminate carbon dioxide, voc's and other gases as well as freshen up the home. Intermittent high speed ventilation can be obtained through a variety of optional remote controls found in this manual. Below are some examples of seasonal operation of an AEV.



Winter:

Humidity control is very important during the winter months. This is when problems will be most apparent since condensation on the windows will often occur. The colder the outside temperature, the greater the risk of condensation in the home. The average relative humidity should be maintained between 30-60% to avoid condensation. Low speed continuous ventilation with high speed override is recommended.



Summer:

The air is sometimes hot and humid. To stop the warm humid air from entering, set the dehumidistat at its highest level.



Spring:

warmer each day. To keep the humidity and temperature uniform, set the dehumidistat higher (if installed). You may also switch the AEV to standby mode if desired.



Fall:

Rain and rapid temperature changes make it difficult to control the internal humidity level and may result in condensation on the windows. A remote dehumidistat may help give greater control over the inside environment.

Optional control



To avoid window condensation:

- It is not necessary to change the humidity control every day. Monitor the average weekly temperature or experiment with various settings until you find a level that is comfortable for you.
- Adjust the control when needed.



Dehumidistat I

The wall mount dehumidistat monitors the humidity level in the area it is installed. When the humidity level rises above the desired set-point, the AEV will activate to high speed/override mode. Once the humidity level returns to desired condition, the unit will return to the normal mode. 2 low voltage wires required for operation.

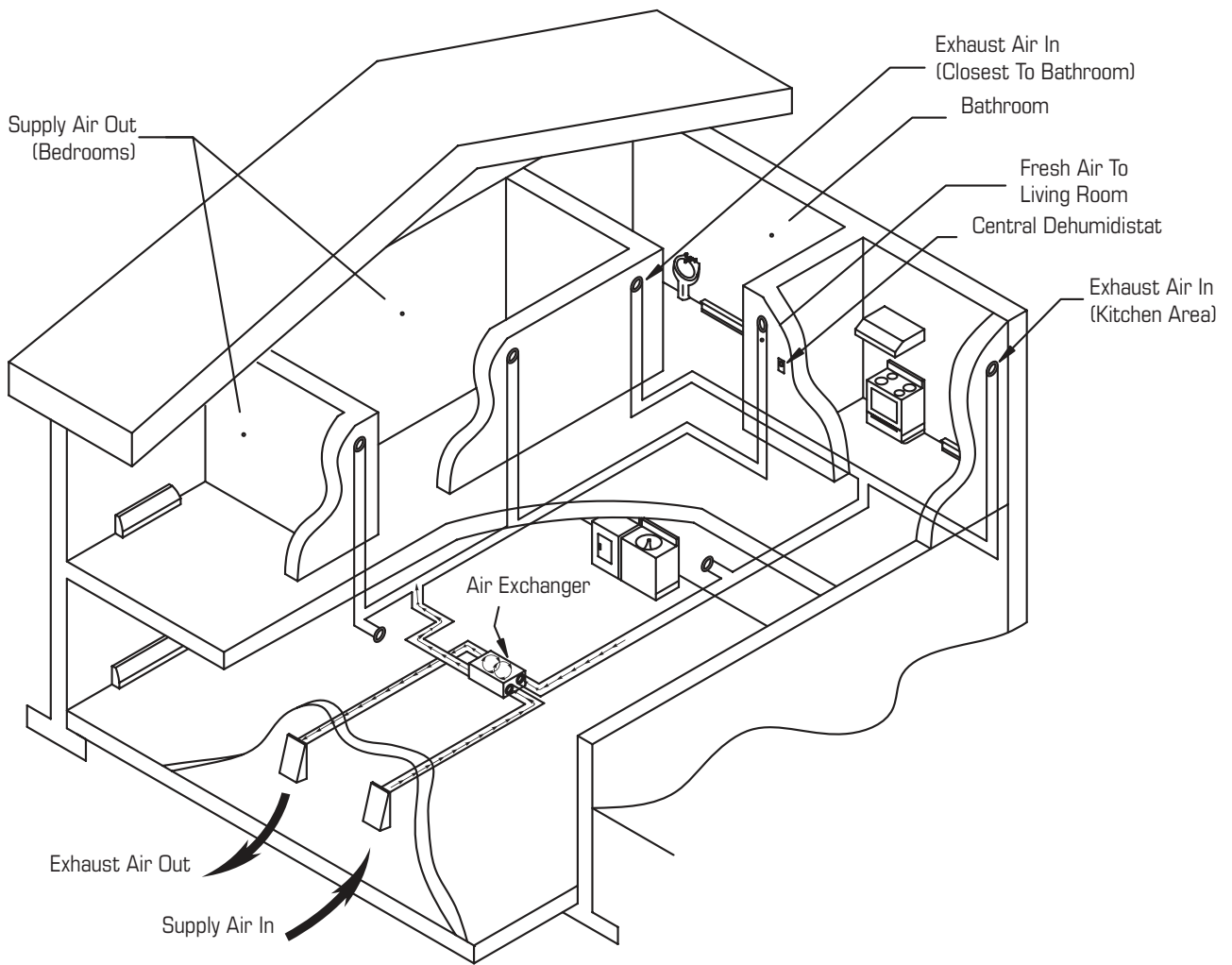
Installation examples

Example only

RADIANT, HYDRONIC AND ELECTRIC BASEBOARD HEATING



1. This diagram shows the installation of your unit with radiant hydronic or baseboard heating. As shown, the stale air is extracted from the rooms with high humidity levels, and the fresh air is delivered in the living areas. In this case, a complete ducting system for ventilation must be installed.
2. Follow local building codes



Exterior ducting installation

A well designed and installed ducting system will allow the AEV to operate at its maximum efficiency. Always try to keep duct runs as short and straight as possible.

Weatherhood location

- Decide where your intake and exhaust hoods will be located.

Locating the Intake Weatherhood

- Should be located upstream (if there are prevailing winds) from the exhaust outlet.
- At a minimum of 2m (6') away from dryer vents and furnace exhaust (medium or high efficiency furnaces), driveways, oil fill pipes, gas meters, or garbage containers.
- At a minimum height of 460mm (18") above the ground, or above the level of expected snow accumulation.
- At a minimum distance of 1m (3') from the corner of the building.
- Do not locate in the garage, attic, crawl space, or underneath deck.

Locating the Exhaust Weatherhood

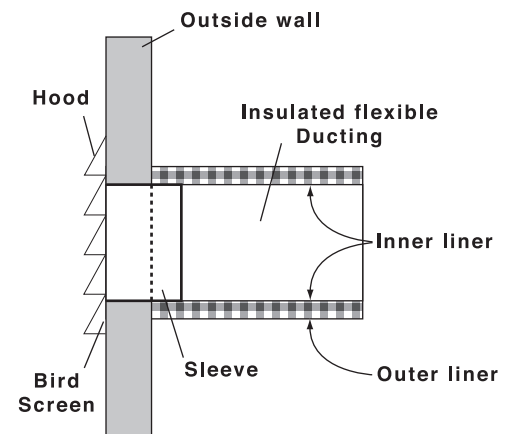
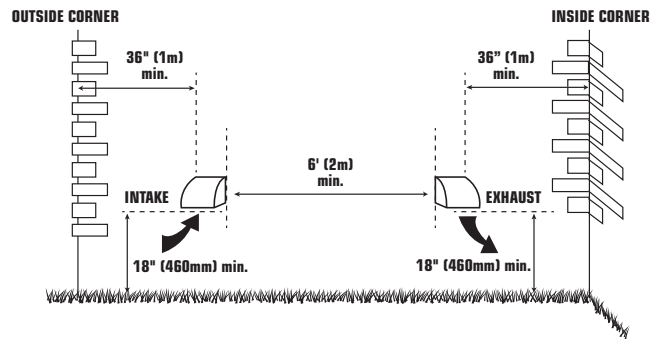
- At least 6' (2m) from the ventilation air intake
- At least 460mm (18") above ground or above the depth of expected snow accumulation
- At least 1m (3') away from the corner of the building
- Not near a gas meter, electric meter or a walkway where fog or ice could create a hazard
- Do not locate in a garage, workshop or other unheated space

Installing the ducting to the weatherhoods

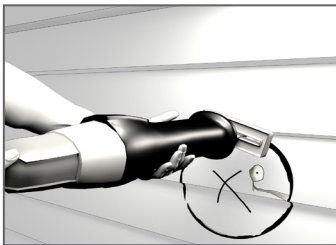
The inner liner of the flexible insulated duct must be clamped to the sleeve of the weatherhoods (as close to the outside as possible) and to the appropriate port on the AEV. The insulation should remain full and not be squished. The outer liner, which acts as a vapor barrier must be completely sealed to outer wall and the AEV using tape and or caulking. A good bead of high quality caulking (preferably acoustical sealant) will seal the inner flexible duct to both the AEV port and the weatherhood prior to clamping.

To minimize air flow restriction, the flexible insulated duct that connects the two outside weatherhoods to the AEV should be stretched tightly and be as short as possible. Twisting or folding the duct will severely restrict air flow.

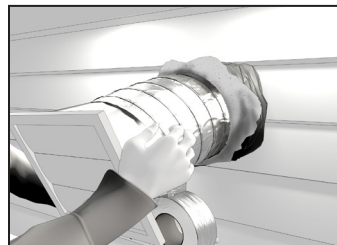
See "Installation Diagram Examples" for installation examples.



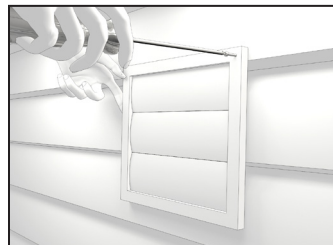
Steps for hood installation:



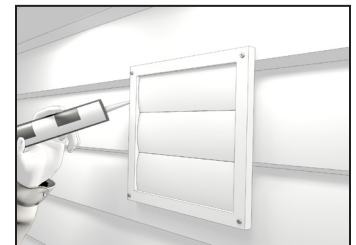
1 Using the duct connection of the outside hood, outline the intake & exhaust holes to be cut. The holes should be slightly larger than the duct connection to allow for the thickness of the insulated flexible duct. Cut a hole for both the intake and exhaust hoods.



2 Pull the insulated flexible duct through the opening until it is well extended and straight. Slide the duct's inner vinyl sleeve over the hood duct connection and secure. Pull the insulation over the duct and pull the vapor barrier over the sleeve. Secure with appropriate tape or sealant.



3 Push the hood into the opening and then attach the hood to the outside wall with mounting screws. Repeat the installation procedure for both the supply and exhaust hoods.



4 Using a caulking gun, seal around both hoods to prevent any leaks.

Interior ducting installation

Exhaust air ducting

The stale air exhaust system is used to draw air from the points in the house where the worst air quality problems occur. It is recommended that return air ducts be installed in the bathroom, kitchen, and laundry room. Additional return air ducts from strategic locations (i.e. greenhouse, atrium, swimming pool, sauna, etc.) may be installed. This method has become popular and provides good ventilation when installed in accordance with the instructions.

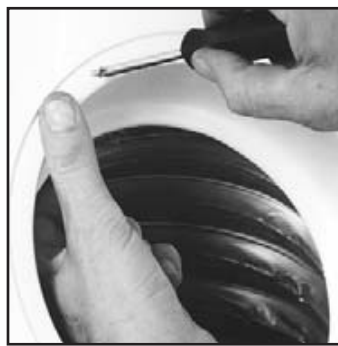


- For new construction, the rigid ducts are run in the walls.
- Choose the location your Supply and Exhaust grille (metal) or (plastic). The Supply grilles should be located in every habitable room and the Exhaust Grilles should be located in the wet rooms.
- A piece of flexible ducting should be placed between the Supply Air In and Out collar of the AEV and the rigid ducting to absorb any noise or vibrations.
- For proper network of ducting, see TYPES OF INSTALLATIONS.
- The grilles are to be installed on the ceiling or on the wall 6" (152 mm) to 12" (305 mm) from the ceiling.

Dedicated installation for existing home - non force air heating / cooling system.



1 Begin with the duct collar marked "Exhaust Air In". Slide a short piece (12") of flexible duct over the duct collar. Insert one to two screws through the duct and into the plastic duct collar to secure it into place. Apply sealant or aluminum tape to the edge of the ducting. Run the flexible ducting to the main rigid duct trunk line, which connects to the remainder of the ducts going to and from rooms in the house. Repeat the steps for the "Supply Air Out" on the side of the AEV.



2 Working from a closet, attic or inside your joist wall, run the length of ducting required for the proper grille location and cut a hole in the gyprock. Fasten the mounting collar (optional) to the ducting and fasten the collar to the wall or ceiling with screws.



3 The grille (metal) or (plastic) airflow can be adjusted by rotating the inside unit. It is recommended that the grilles be completely opened at first and then adjusted later as needed.



4 Push the grille (metal) or (plastic) into the optional mounting collar or directly into installed elbow.

AEV installation



- Install the unit close to the outside wall on which the supply and exhaust hoods will be mounted.
- Have a nearby power supply 120 Volts, 60 Hz.
- Have the possibility of mounting the unit to supporting beams.
- Mount the unit as level as possible.
- Have a certain amount of heat around the unit (attic installation is not recommended).
- Minimize any noise level that would be created by the unit in the living area.
- Have access for future maintenance.

Location

The Air Exchanger must be located where it will be possible to conveniently service the unit. Typically the AEV would be located in an area close to the outside wall where the weatherhoods will be mounted. If a basement area is not convenient or does not exist, a utility or laundry room may be used.

Connecting appliances to the AEV is not recommended. These include:

- Clothes dryer
- Range top
- Stovetop fan
- Central vacuum system

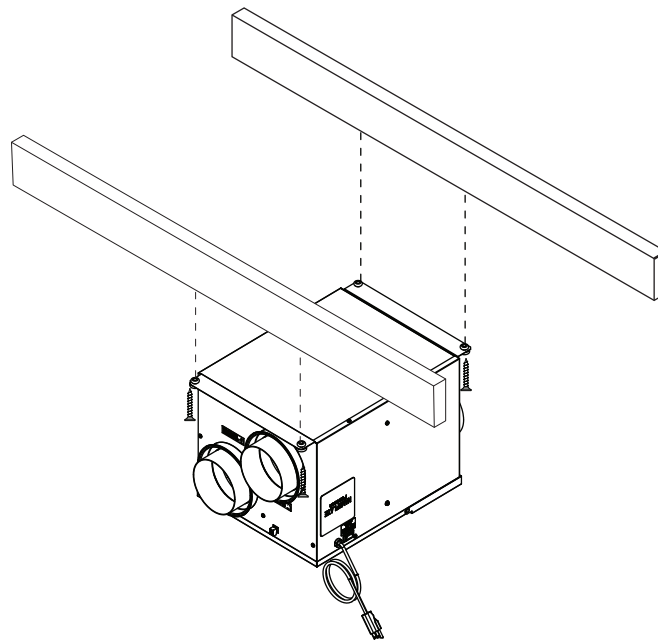
These appliances may cause lint, dust or grease to collect in the HRV, damaging the unit.



Connecting any of these types of appliances to the AEV will void your warranty.

Mounting

1. Although we recommend installing the unit as shown, the flexibility offered by our centrifugal external rotor motor allows for the unit to be installed in any position.
2. Use screws and mounting bracket supplied with the unit.



Airflow balancing

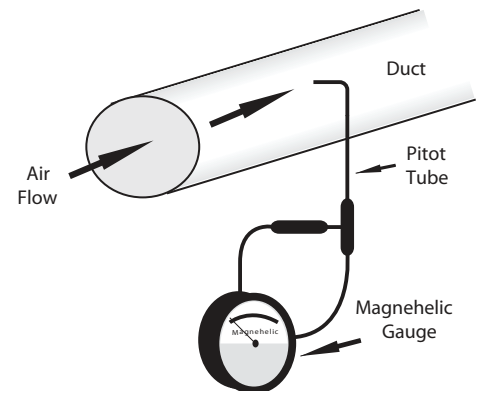
The balancing procedure consists of measuring the exhaust air leaving the system and the supply air entering the system and ensuring that these two are equal. A deviation of 10% or less is acceptable. In such cases, it is recommended to have a greater amount of exhaust air than supply air as so to increase the supply air's temperature.



- If the unit's airflows are not properly balanced...
 - The unit may not operate at it's maximum efficiency.
 - The unit's use could cause negative or positive pressure in your home causing cold air to enter or other combustibile equipment to backdraft.



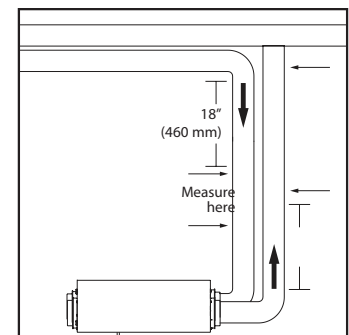
A The duct's airflow velocity is measured with a magnehelic gauge and a pitot tube. See "Pitot Tube Balancing Procedure" next page.



B This airflow measuring station reads the airflow by being connected to the ducting.



To avoid airflow turbulence and incorrect readings, the airflow velocity should be measured on steel ducting a minimum of 18" (457 mm) from the unit or elbow and before any transition.



Airflow balancing (Cont'd)



1 For this flow measuring station, cut the duct and place the flow measuring station between each station. Make sure that the flow measuring station's air direction arrow points in the direction of the airflow. Secure the flow measuring station with duct tape.



2 Before taking the reading, make sure that the magnehelic gauge is level and at 0. Refer to the flow measuring station's chart to determine your unit's airflow velocity.



3 The airflow is regulated by a balancing damper. Adjust the "Supply Air Out" damper until you reach the desired velocity. Follow the previous steps to adjust the "Exhaust Air Out" damper.

Pitot tube balancing procedure

The following is a method of field balancing an AEV using a Pitot tube, advantageous in situations when flow stations are not installed in the ductwork. Procedure should be performed with the AEV on high speed.

The first step is to operate all mechanical systems on high speed, which have an influence on the ventilation system, i.e. the AEV itself and the forced air furnace or air handler if applicable. This will provide the maximum pressure that the AEV will need to overcome, and allow for a more accurate balance of the unit.

Drill a small hole in the duct (about 3/16), three feet downstream of any elbows or bends, and one foot upstream of any elbows or bends.

These are recommended distances but the actual installation may limit the amount of straight duct. The Pitot tube should be connected to a magnehelic gauge or other manometer capable of reading from 0 to 0.25 in (0-62 Pa) of water, preferably to 3 digits of resolution. The tube coming out of the top of the pitot is connected to the high pressure side of the gauge. The tube coming out of the side of the pitot is connected to the low pressure or reference side of the gauge.

Insert the Pitot tube into the duct; pointing the tip into the airflow. For general balancing it is sufficient to move the pitot tube around in the duct and take an average or typical reading. Repeat this procedure in the other (supply or return) duct. Determine which duct has the highest airflow (highest reading on the gauge). Then damper that airflow back to match the lower reading from the other duct. The flows should now be balanced. Actual airflow can be determined from the gauge reading. The value read on the gauge is called the velocity pressure. The Pitot tube comes with

a chart that will give the air flow velocity based on the velocity pressure indicated by the gauge. This velocity will be in either feet per minute or metres per second. To determine the actual airflow, the velocity is multiplied by the cross sectional areas of the duct being measured.

This is an example for determining the airflow in a 6" duct.

The Pitot tube reading was 0.025 inches of water.

From the chart, this is 640 feet per minute.

The 6" duct has cross sectional area of

$$= (3014 \times (6")^2) / 4 \\ = 0.2 \text{ square feet}$$

The airflow is then:

$$640 \text{ ft./min.} \times 0.2 \text{ square feet} = 128 \text{ cfm}$$

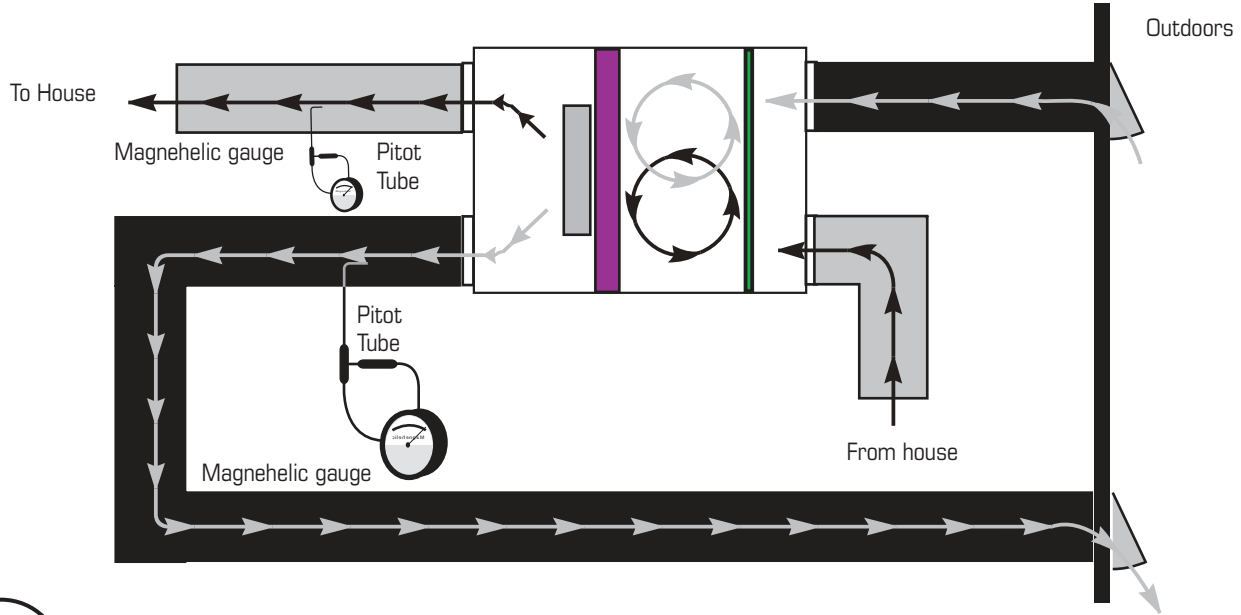
For your convenience, the cross sectional area of some common round duct is listed below:

DUCT DIAM. (inches)	CROSS SECTION AREA (sq ft.)
5	0.14
6	0.20
7	0.27

The accuracy of the air flow reading will be affected by how close to any elbows or bends the readings are taken. Accuracy can be increased by taking an average of multiple readings as outlined in the literature supplied with the Pitot tube.

Pitot tube balancing procedure (Cont'd)

Place pitot tube a min. of 18" from blower or elbows



Duct connections may vary, depending on model.
 Pitot tube should be kept at least 12" away from fans elbows and dampers to ensure accurate reading.

Maintenance



Make sure unit is unplugged before attempting any maintenance work.
 The following components should also be inspected regularly and well maintained.



- To prevent electrical shock, check that the unit is unplugged before doing any repairs or maintenance.
- A yearly inspection is recommended to ensure the efficiency and trouble-free use of your system. Run through the system and verify the different operating modes.

Filter - Washable Electrostatic MERV 8 Filter

The filter needs to be checked and cleaned every three months or when it appears dirty. To clean, remove the filter and vacuum. If the filter still appears dirty, it can be washed in warm sudsy water (mild detergent).

Outside hoods

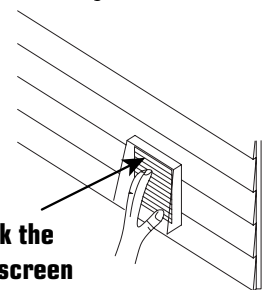
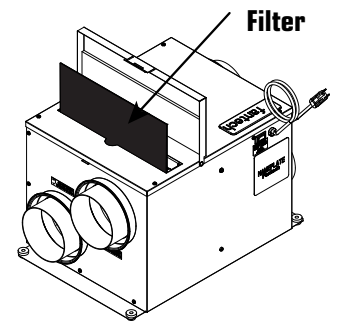
The outside hoods need to be checked every season to make sure there are no leaves or insects blocking the airflow. Check regularly that there are no pollutants near the intake hood. Make sure they are clear of any snow accumulation during the winter months.

Motor

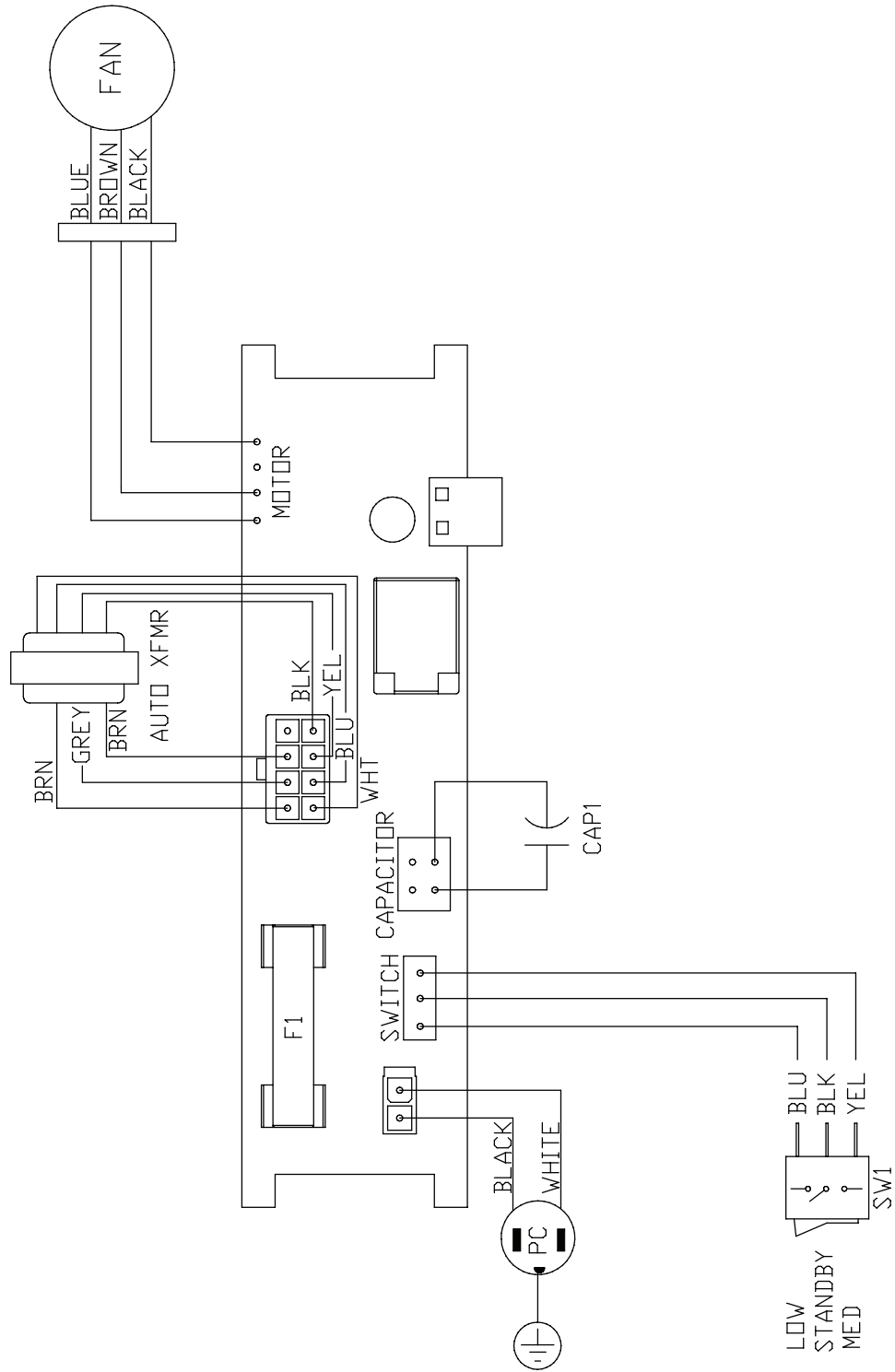
The motor are factory balanced and lubricated for life. They require no maintenance.

The unit

The inside of the unit should be vacuumed yearly. Be careful not to damage any of the mechanical components and electrical connections.



Wiring diagram



Troubleshooting

Problem	Causes	Solutions
Air is too dry	Dehumidistat control is set too low	Increase the desired level of humidity. Change ventilation mode from continuous exchange mode to standby.
	AEV out of balance	Balance AEV
Air is too humid	Dehumidistat control is set too high	Reduce the desired level of humidity. Combine this with the use of continuous exchange mode.
	Sudden change in temperature	Wait until outside temperature stabilizes (winter). Heating will also improve situation.
	Storing too much wood for heating	Store a majority of your wood outside. Even dried, a cord of wood contains more than 20 gallons of water.
	Dryer vent exhaust is inside home	Arrange outside vent for dryer
	Poor air circulation near windows	Open curtains or blinds. Bay or bow windows may require mechanical method
	AEV out of balance	Balance AEV
	Basement door is closed	Open the door or install a grill on the door
Persistent condensation on window	Improper adjustment of dehumidistat control	Reduce the desired level of humidity. Combine this step with use of continuous exchange mode.
	AEV out of balance	Balance AEV
Poor Air Flows	1/4" (6mm) mesh on the outside hoods is plugged	Clean exterior hoods or vents
	Filters plugged	Remove and clean filter
	House grilles closed or blocked	Check and open grilles
	Damper are close if installed	
	Poor power supply at site	Have electrician check supply voltage at house
	Ductwork is restricting the AEV	Check duct installation
	Improper speed control setting	Increase the speed of the AEV
	AEV airflow improperly balance	have contractor balance AEV
Supply air feels cold	Poor location of supply grilles, the airflow may irritate the occupant	Locate the grilles high on the walls or under the baseboards, install ceiling mounted diffuser or grilles so as not to directly spill the supply air on the occupant (eg. Over a sofa) Turn down the HRV supply speed. A small duct heater (1kw) could be used to temper the supply air Placement of furniture or closed doors is restricting the movement of air in the home
	Outdoor temperature extremely cold	If supply air is ducted into furnace return, the furnace fan may need to run continuously to distribute ventilation air comfortably
aev and/or Ducts frosting up	AEV air flows are improperly balanced	Have HVAC contractor balance the AEV
	Malfunction of the AEV defrost system	Note: minimal frost build-up is expected Duct heaters
Condensation or Ice Build Up in Insulated Duct to the Outside	Incomplete vapor barrier around insulated duct	Tape and seal all joints
	A hole or tear in outer duct covering	Tape any holes or tears made in the outer duct covering Ensure that the vapour barrier is completely sealed.

AEV maintenance chart

Maintenance Required	Recommended Frequency	Date Maintenance Performed					
Check and Clean Washable Electrostatic Filters	Every 3 months or if dirty						
Check and Replace MERV13 Optional Pleated Filter if Installed	Every 6 months or if dirty						
Vacuum the Inside of the Unit	Annually						
Clean and Un-block Outside Hoods	Annually						
Clean and Inspect Duct Work	Annually						
General Servicing by a Qualified Contractor	Annually						

* Schedule may be altered to meet your own needs. More frequent servicing may be required depending on the severity of your home's indoor and outdoor environments.

Contractor	Telephone Number	Date Serviced

Limited Warranty

- The motor found in all units require no lubrication, and are factory balanced to prevent vibration and promote silent operation.
- The limited warranty covers normal use. It does not apply to any defects, malfunctions or failures as a result of improper installation, abuse, mishandling, misapplication, fortuitous occurrence or any other circumstances outside our control.
- Inappropriate installation or maintenance may result in the cancellation of the warranty.
- Any unauthorized work will result in the cancellation of the warranty.
- We are not responsible for any incidental or consequential damages incurred in the use of the ventilation system.
- We are not responsible for providing an authorized service centre near the purchaser or in the general area.
- We reserves the right to supply refurbished parts as replacements.
- Transportation, removal and installation fees are the responsibility of the purchaser.
- The purchaser is responsible to adhering to all codes in effect in his area.
- The warranty is limited to 5 years on parts and 7 years on the motor from the date of purchase, including parts replaced during this time period. If there is no proof of purchase available, the date associated with the serial number will be used for the beginning of the warranty period.

* This warranty is the exclusive and only warranty in effect relative to the ventilation system and all other warranties either expressed or implied are invalid. Please fill out the warranty registration and return it within two weeks of purchase or the warranty will be voided.

Notes

Manuel d'installation

Série AEV

Ventilateur d'échangeur d'air

PIÈCES DANS LA BOÎTE

Ventilateur d'échangeur d'air, 1 pc
MDEH1 Déshumidistat, 1 pc
Manuel d'installation, 1 pc



Votre système de ventilation doit être installé conformément aux exigences de la province où vous habitez ou, à défaut de telles exigences, conformément à l'édition actuelle du Code national du bâtiment du Canada ou aux « méthodes d'ingénierie appropriées » de l'ASHRAE.

United States

10048 Industrial Blvd., Lenexa, KS, 66215
Tél.: 800.747.1762 • Fax: 800.487.9915

Canada

50 Kanalfakt Way, Bouctouche, NB, E4S 3M5
Tél.: 800.565.3548 • Fax: 877.747.8116

Fantech se réserve le droit de modifier partiellement ou entièrement, en tout moment et sans préavis, les caractéristiques, la conception, les composants et les spécifications de ses produits, afin de conserver sa position de leader de technologie.

S'il vous plaît visitez notre site www.fantech.net pour des informations techniques plus détaillées.



fantech®
une compagnie de Systemair

Table des matières

DÉTERMINER VOS BESOINS DE VENTILATION	19
OPÉRATION	20
CONTRÔLE OPTIONNEL	20
EXEMPLES D'INSTALLATION	21
INSTALLATION DES CONDUITS EXTÉRIEURS	
Emplacement des hottes	22
Installation de l'ensemble des conduits avec hottes	22
INSTALLATION DES CONDUITS INTÉRIEURS	
Ensemble de conduit d'évacuation	23
Installation spécialisée pour les maisons déjà construites	23
INSTALLATION DE L'EA	
Emplacement	24
Montage	24
ÉQUILIBRAGE DU DÉBIT D'AIR	25
PROCÉDURE D'ÉQUILIBRAGE À L'AIDE D'UN TUBE DE PITOT	25
ENTRETIEN	27
SCHÉMA ÉLECTRONIQUE	28
DÉPANNAGE	29
TABLEAU D'ENTRETIEN DU EA	30
LISTE DES COMPOSANTES	31

Déterminer vos besoins de ventilation

Méthode compte de pièces

Liste des pièces	Nombre de pièces	Pi ³ /min (L/s)	PCM Required
Chambre principale		x 10 L/s (20 pi ³ /min)	=
Sous-sol	oui ou no	Si oui, ajoutez 10 L/s (20 pi ³ /min) Sinon = 0	=
Chambre à coucher		x 5 L/s (10 pi ³ /min)	=
Salon		x 5 L/s (10 pi ³ /min)	=
Autres		x 5 L/s (10 pi ³ /min)	=
Cuisine		x 5 L/s (10 pi ³ /min)	=
Salle de bain		x 5 L/s (10 pi ³ /min)	=
Buanderies		x 5 L/s (10 pi ³ /min)	=
Lingerie		x 5 L/s (10 pi ³ /min)	=
Ventilation total nécessaire (La somme des chiffres de la dernière colonne)			=

1 pi³/min = 0.47 L/s
1 L/s = 2.13 pi³/min

Méthode ASHRAE

Débit d'air recommandé

Superficie		Chambre à coucher									
Ft ²	m ²	1		2		3		4		5	
		Pi ³ /min	L/s	Pi ³ /min	L/s	Pi ³ /min	L/s	Pi ³ /min	L/s	Pi ³ /min	L/s
<500	<47	30	128	38	18	45	21	53	25	60	28
501-1000	47-93	45	21	53	24	60	28	68	31	75	35
1001-1500	94-139	60	28	68	31	75	35	83	38	90	42
1501-2000	140-186	75	35	83	38	90	42	98	45	105	49
2001-2500	187-232	90	42	98	45	105	49	113	52	120	56
2501-3000	233-279	105	49	113	52	120	56	128	59	135	63
3001-3500	280-325	120	56	128	59	135	63	143	66	150	70
3501-4000	326-372	135	63	143	66	150	70	158	73	165	77
4001-4500	373-418	150	70	158	73	165	77	173	80	180	84
4501-5000	419-465	165	77	173	80	180	84	188	87	195	91

* ASHRAE 62.2-2016 Table 4.1, Ventilation and Acceptable Indoor Air Quality in Low-Rise Residential Buildings.

Opération

Un échangeur d'air (EA) assure un apport d'air frais dans le bâtiment tout en évacuant une quantité égale d'air vicié. Durant les mois d'hiver, l'air froid entrant est chauffé par la chaleur récupérée de l'air vicié avant que celui-ci soit évacué. En été, lorsque l'intérieur est climatisé, le EA utilise l'air vicié évacué pour refroidir l'air frais entrant.

Les EA sont conçus de manière à fonctionner en continu ou de façon intermittente, ce qui permet au propriétaire des lieux de contrôler entièrement la qualité de l'air de son environnement. Une ventilation continue à basse vitesse est recommandée; celle-ci facilite l'élimination du gaz carbonique, des contaminants organiques volatils (COV) et des autres gaz tout en purifiant l'air ambiant. Une ventilation intermittente à haute vitesse est également possible au moyen de diverses télécommandes offertes en option (voir les pages 5 et 6 du présent manuel). Quelques exemples d'utilisation saisonnière du EA sont présentés ci-dessous.



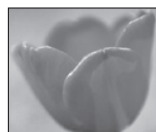
Hiver:

La régulation de l'humidité est très importante au cours des mois d'hiver. Il s'agit de la période de l'année où les problèmes sont les plus apparents puisqu'il se produit souvent de la condensation sur les vitres. Plus la température extérieure est basse, plus grands sont les risques de condensation dans la maison. Pour éviter la condensation, l'humidité relative moyenne doit être maintenue entre 30 et 60 %. Il est recommandé de faire fonctionner le ventilateur continuellement à basse vitesse avec priorité à haute vitesse.



Été:

L'air est parfois chaud et humide. Pour l'empêcher de pénétrer à l'intérieur, régler le déshumidistat à son niveau maximum.



Printemps:

Les températures sont plus modérées et s'élèvent de jour en jour. Pour maintenir l'humidité et la température à un niveau uniforme, régler le déshumidistat à un niveau plus élevé et le commutateur du EA à la position d'attente.



Automne:

La pluie et les variations rapides de température nuisent à la bonne régulation du niveau d'humidité et peuvent provoquer de la condensation sur les vitres. L'utilisation d'un déshumidistat mural peut aider à maintenir un environnement intérieur plus sain.

Contrôle optionnel



Comment éviter la condensation sur les vitres:

- Il n'est pas nécessaire de régler le taux d'humidité tous les jours. Surveillez la température hebdomadaire moyenne ou essayez divers réglages jusqu'à ce que vous trouviez le taux vous assurant le confort désiré.
- Réglez le déshumidistat au besoin.



Déshumidistat I

Le déshumidistat I mural évalue le taux d'humidité de l'endroit où il est installé. Lorsque le taux d'humidité dépasse la valeur de réglage, le EA est activé en haute vitesse (mode priorité). Une fois que le taux d'humidité redevient acceptable, l'appareil reprend son mode de fonctionnement normal.

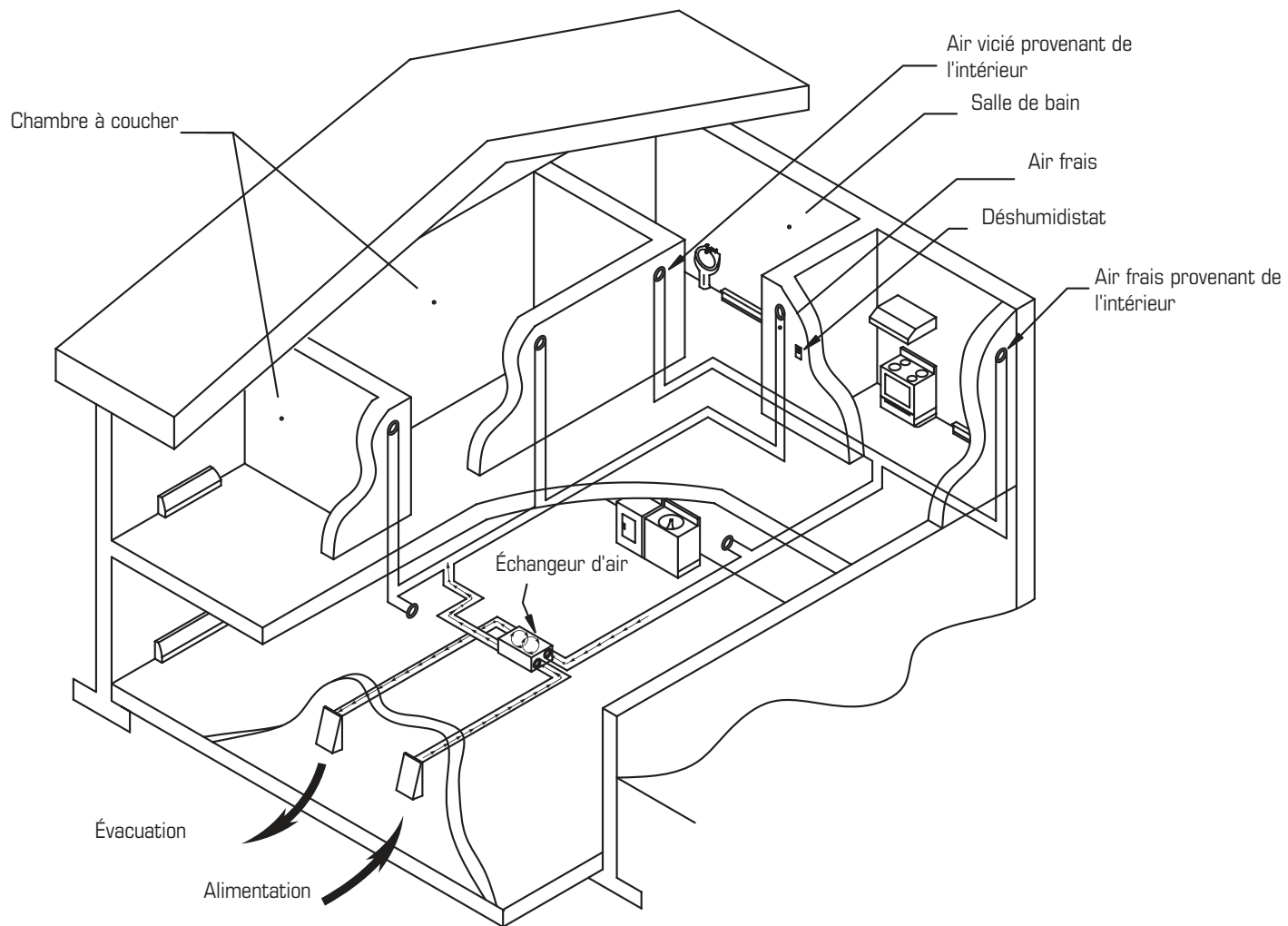
Exemple d'installation

Exemple seulement

Élément chauffant, Hydronic et chauffage électrique de baseboard



1. Ce diagramme montre l'installation de votre unité avec le chauffage radiant hydronic ou de baseboard. Comme montré, l'air éventé est extrait à partir des salles avec des niveaux de humidité élevé, et l'air frais est livré dans les secteurs vivants. Dans ce cas-ci, un système complet de canalisation pour la ventilation doit être installé.
2. Suivre les codes locales



Installation des conduits extérieurs

Le rendement maximum du EA est assuré par un ensemble de conduits d'évacuation de haute qualité technique qui est bien installé. Assurez-vous que le tracé de conduit soit toujours le plus court et le plus droit possible. Reportez-vous aux exemples illustrés dans les dessins d'installation.

Emplacement des hottes

- Décidez de l'emplacement des hottes d'aspiration et d'évacuation.

Emplacement de la hotte d'aspiration

- Doit être située en amont de la sortie d'évacuation (en présence de vents dominant).
- Doit être située à au moins 2m (6 pi) de la hotte d'évacuation, des événements de la sécheuse et de l'évacuation de la fournaise à air pulsé (fournaise à moyen ou à haut rendement).
- Doit être située à au moins 2m (6 pi) des entrées de garage, tuyaux de remplissage d'huile, compteurs de gaz ou conteneurs à ordures ménagères.
- Doit être montée à au moins 460 mm (18 po) au-dessus du sol ou au-dessus de la couche de neige prévue.
- Doit être située à au moins 1m (3 pi) d'un coin du bâtiment.
- Ne doit jamais être située dans un garage, un grenier ou un vide sanitaire.

Emplacement de la hotte d'évacuation

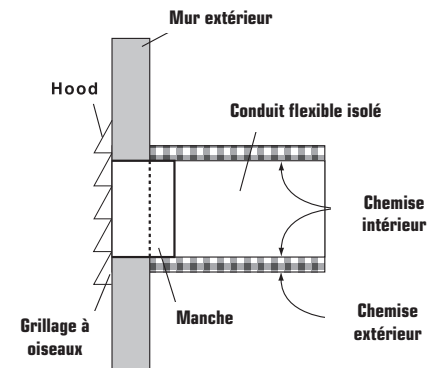
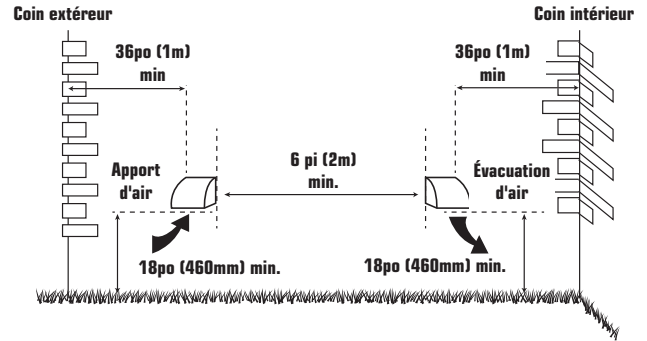
- Doit être située à au moins 2m (6 pi) de la prise d'air de ventilation.
- Doit être montée à au moins 460 mm (18 po) au-dessus du sol ou au-dessus de la couche de neige prévue.
- Doit être située à au moins 1m (3 pi) d'un coin du bâtiment.
- Ne doit pas être située à proximité d'un compteur de gaz, d'un compteur d'électricité ou d'une allée où le brouillard et la glace peuvent constituer un danger
- Ne doit jamais être située dans un garage, un atelier ou un espace non chauffé.

Installation de l'ensemble de conduits avec les hottes

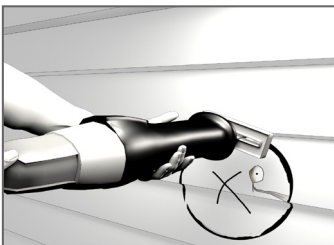
Le revêtement intérieur des conduits flexibles isolés doit être encastré dans le manchon des hottes de protection contre les intempéries (aussi près que possible de l'extérieur) et dans l'orifice approprié du EA. Assurez-vous que l'isolation demeure entière et qu'elle n'est pas écrasée. Le revêtement extérieur, qui joue le rôle de pare-vapeur, doit être complètement scellé sur le mur extérieur et le EA à l'aide de ruban ou de produit de calfeutrage. Déposez un cordon de produit de calfeutrage de première qualité (du mastic d'isolation acoustique de préférence) pour sceller le conduit flexible intérieur à l'orifice du EA et à la hotte de protection avant de procéder à l'encastrement.

Pour réduire au minimum la restriction de débit d'air, le conduit flexible isolé qui relie les deux hottes de protection extérieures au EA doit être bien tendu et le plus court possible. Des conduits tordus ou pliés réduisent fortement le débit d'air.

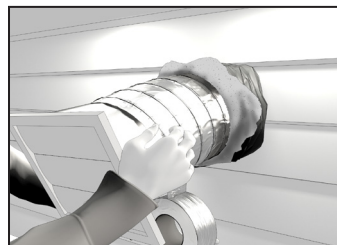
Reportez-vous aux exemples illustrés dans la section "Exemples d'installation"



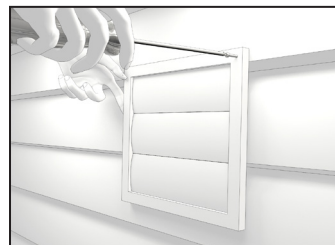
Étapes de l'installation de la hotte:



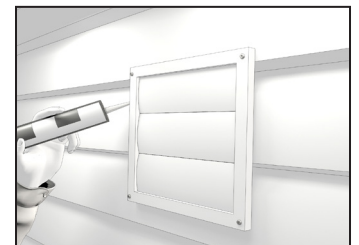
- 1 Tracez le contour du collet de la hotte externe pour découper les trous d'aspiration et d'évacuation. Le diamètre des trous doit être un peu plus grand que celui du collet, pour tenir compte de l'épaisseur du conduit flexible isolé. Percez un trou pour la hotte d'aspiration et un trou pour la hotte d'échappement



- 2 Faites passer le conduit flexible isolé dans l'ouverture jusqu'à ce qu'il soit bien tendu et droit. Faites glisser le manchon en vinyle interne du conduit sur le collet avec l'isolation et placez le parevapeur sur le manchon. Fixez à l'aide de ruban adhésif en toile.



- 3 Enfoncez la hotte dans l'ouverture. Fixez la hotte sur le mur extérieur en utilisant des vis de montage. Répétez la procédure d'installation pour la hotte d'aspiration et la hotte d'évacuation.



- 4 À l'aide d'un pistolet à calfeutrer, calfeutrez les deux hottes pour empêcher les fuites.

Installation des conduits intérieurs

Ensemble de conduits d'évacuation

Le système d'évacuation de l'air vicié sert à aspirer l'air des endroits de la maison où la qualité d'air est la moins bonne. Il est recommandé d'installer les conduits de retour d'air dans la salle de bains, la cuisine et la buanderie. Il est également possible d'installer des conduits supplémentaires de retour d'air dans des endroits stratégiques (p. ex. la serre, l'atrium, la piscine, le sauna, etc.). Le conduit de retour de la fournaise peut également servir de conduit d'évacuation. Ainsi, l'air évacué des salles de bains, cuisines, etc. ne retourne pas au EA dans des « conduites spécialisées ».

Cette méthode est devenue très populaire et assure une bonne ventilation si les instructions d'installation ont été suivies à la lettre. Pour que cette méthode soit efficace, le ventilateur de la fournaise doit fonctionner lorsque le EA est en marche.

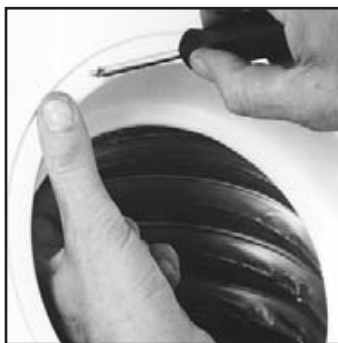


- Dans les constructions nouvelles, les conduits rigides sont posés dans les murs.
- Choisissez l'emplacement des grilles Fantech d'aspiration et d'évacuation (MGE [métal] ou PGE [plastique]). Les grilles d'aspiration devraient être situées dans chaque pièce habitable et les grilles d'évacuation, dans les pièces où il y a présence d'humidité.
- Placez un bout de conduit flexible entre le collet « Supply Air In » (entrée de l'air fourni) et « Supply Air Out » (sortie de l'air fourni) du EA et le conduit rigide pour absorber le bruit ou les vibrations.
- Pour de plus amples renseignements sur le réseau de conduits, reportez-vous à la section TYPES D'INSTALLATIONS.
- Les grilles doivent être posées sur le plafond ou sur le mur, de 152 mm (6 po) à 305 mm (12 po) du plafond.

Installation spécialisée pour les maisons déjà construites (installation de chauffage à air chaud non pulsé/système de refroidissement)



1 Utilisez d'abord le collet du conduit marqué « Exhaust Air In » (entrée de l'air évacué). Faites glisser un petit bout (12 po) de conduit flexible sur le collet du conduit. Insérez une à deux vis à travers le conduit et dans le collet de conduit en plastique pour le fixer en place. Appliquez un produit d'étanchéité ou une bande d'aluminium sur le rebord du conduit. Posez le conduit flexible le long du conduit principal rigide qui relie le reste des conduits d'une pièce à l'autre de la maison. Répétez les mêmes étapes pour le conduit marqué « Supply Air Out » (sortie de l'air fourni) situé sur le côté du EA.



2 Si vous travaillez dans un placard, au grenier ou à l'intérieur du mur contenant les solives, posez la longueur de conduit appropriée jusqu'à l'emplacement de la grille et percez un trou dans le placoplâtre. Vissez le collet de montage (en option) dans l'ensemble de conduits puis vissez le collet au mur ou au plafond.



3 Le débit d'air de la grille Fantech (MGE [métal] ou PGE [plastique]) peut être réglé en tournant l'unité interne. Il est recommandé d'ouvrir totalement les grilles d'abord puis de les régler plus tard, au besoin.



4 Enfoncez la grille Fantech (MGE [métal] ou PGE [plastique]) dans le collet de montage facultatif ou dans le coude installé.

Installation de l'EA



- Installez le EA à proximité du mur extérieur sur lequel les hottes d'aspiration et d'évacuation seront montées.
- Ayez accès à un bloc d'alimentation de 120 V, 60 Hz.
- Assurez-vous qu'il soit possible de monter le EA sur des poutres de support.
- Mettez le EA le plus de niveau possible pour permettre l'écoulement du condensat.
- Assurez-vous que le EA est installé dans un espace tempéré (il n'est pas recommandé d'installer le EA au grenier).
- Réduisez le niveau de bruit dû à l'appareil dans les pièces d'habitation.
- Assurez-vous de pouvoir accéder à l'appareil aux fins de maintenance.

Emplacement

Le EA doit être situé dans un endroit chauffé où il sera possible d'en effectuer la maintenance sans inconvénient. Généralement, le EA doit être situé dans la chambre des appareils mécaniques ou à proximité du mur extérieur sur lequel les hottes de protection contre les intempéries seront montées. S'il n'y a pas de sous-sol ou si le sous-sol ne convient pas, il est possible d'installer l'appareil dans la lingerie ou dans la buanderie.

Raccordement d'appareils électroménagers au EA. Il n'est pas recommandé de raccorder des appareils électroménagers au EA, notamment :

- Sécheuse de linge
- Table de cuisson
- Ventilateur de cuisinière
- Système d'aspirateur central

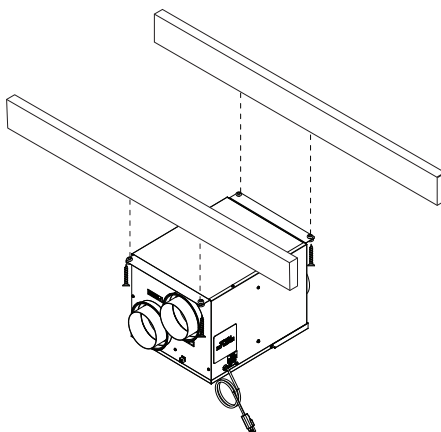
Ces électroménagers peuvent entraîner l'accumulation de charpie, de poussière ou de graisse dans le EA et l'endommager.



Le raccordement de n'importe quel type d'appareils électroménagers au EA annule la garantie.

Montage

1. Bien que nous recommandions d'installer l'unité comme montrée, la flexibilité offerte par notre moteur externe centrifuge de rotor tient compte pour que l'unité soit installée dans n'importe quelle position.
2. Employez les vis et le support de montage fournies avec l'unité.



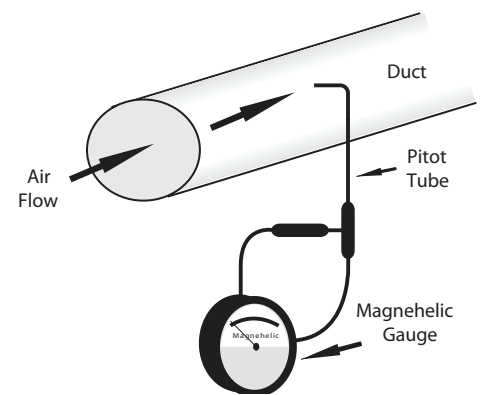
Équilibrage du débit d'air

Le procédé d'équilibrage se compose mesurer l'air d'échappement partant du système et l'air d'approvisionnement écrivant le système et s'assurant que ces deux sont égales. Une déviation de 10% ou moins est acceptable. Dans ces cas-ci, on lui recommande d'avoir une plus grande quantité d'air d'échappement que fournir l'air en tant qu'ainsi pour augmenter la température d'air d'approvisionnement.



- Si les flux d'air de l'unité ne sont pas correctement équilibrés...
 - l'unité peut ne pas fonctionner à son efficacité maximum.
 - l'utilisation de l'unité a pu causer la pression négative ou positive dans votre maison faisant entrer l'air froid ou tout autre équipement combustible au backdraft.

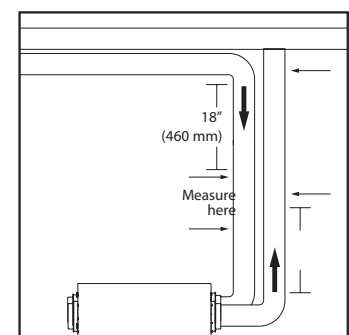
A La vitesse du flux d'air du conduit est mesurée avec une mesure magnehelic et une prise de pression totale. Voir page prochaine pour "d'équilibrage de prise de pression totale".



B Cette station de mesure de flux d'air lit le flux d'air en étant relié à la canalisation.



Pour éviter la turbulence de l'air et de mauvaises lectures, mesurez le débit d'air dans un conduit d'acier à au moins 457 mm (18 po) de l'appareil ou d'un coude et avant toute connexion avec un autre conduit.



Équilibrage du débit d'air (Suite)



1 Pour ce poste de mesure des débits, coupez le conduit et placez le poste entre chaque section. Assurez-vous que la flèche de sens de l'air du poste de mesure des débits pointe dans le sens du débit d'air. Fixez le poste de mesure des débits avec du ruban adhésif.



2 Avant de prendre la lecture, assurez-vous que le manomètre Magnehelic est de niveau et indique 0. Consultez le tableau du poste de mesure pour déterminer le débit d'air de l'appareil.



3 Le débit d'air est réglé à l'aide d'un registre d'équilibrage situé à l'intérieur du collet du EA. Réglez le registre « Supply Air Out » (sortie de l'air fourni) de façon à obtenir le débit d'air désiré. Suivez les étapes précédentes afin de régler le registre « Exhaust Air Out » (sortie de l'air vicié).

Procédure d'équilibrage à l'aide d'un tube de pitot

La présente procédure permet d'équilibrer in situ un EA à l'aide d'un tube de Pitot. Il s'agit d'une procédure plus favorable lorsque les postes de mesure des débits ne sont pas installés dans le réseau de conduits. Elle doit être exécutée lorsque le EA fonctionne à haute vitesse.

La première étape consiste à faire fonctionner à haute vitesse tous les systèmes mécaniques ayant une influence sur le système de ventilation, c'est-à-dire le EA lui-même et, s'il y a lieu, une fournaise à air pulsé ou un appareil de traitement d'air. Cette intervention a pour but de fournir la pression maximale dont le EA a besoin pour offrir son plein rendement, et permet d'équilibrer l'appareil de façon plus précise.

Percez un petit trou dans le conduit (environ 3/16 po) à trois pieds au-dessous de tout coude et à un pied au-dessus de tout coude. Il s'agit des distances recommandées, mais l'installation réelle peut restreindre le nombre de conduits droits.

Le tube de Pitot doit être relié à un manomètre Magnehelic ou à un autre type de manomètre capable d'indiquer de 0 à 0,25 po d'eau (de 0 à 62 Pa), de préférence jusqu'à trois chiffres de résolution. Le tube provenant de la partie supérieure du tube de Pitot est relié au côté haute pression du manomètre, tandis que celui provenant du côté est relié au côté basse pression ou référence du manomètre.

Introduisez le tube de Pitot dans le conduit en pointant le bout dans le débit d'air. Pour un équilibrage général, il suffit de déplacer le tube de Pitot dans le conduit et de prendre une lecture moyenne ou une lecture type. Répétez cette intervention sur l'autre conduit (amenée ou retour). Déterminez dans lequel des conduits le débit d'air est le plus élevé (selon les indications du manomètre). À l'aide du registre, réduisez le débit d'air du conduit où il est plus élevé de sorte qu'il corresponde à celui de l'autre conduit. Les débits doivent maintenant être équilibrés. Le débit d'air réel peut être déterminé d'après l'indication du manomètre. La valeur indiquée

sur le manomètre est désignée sous le nom de pression de vélocité. Le tube de Pitot est accompagné d'un tableau sur lequel il est possible d'obtenir le débit d'air équivalent à la pression de vélocité indiquée sur le manomètre. Ce débit est exprimé en pieds par minute ou en mètres par seconde. Pour déterminer le débit d'air réel, le débit obtenu est multiplié par la superficie de la section transversale du conduit mesuré.

Exemple, voici comment déterminer le débit d'air réel d'un conduit de 6 po.

Le manomètre relié au tube de Pitot indique 0,025 pouce d'eau.

Selon le tableau, cette valeur correspond à 640 pieds par minute.

La superficie de la section transversale du conduit de 6 po

$$= (3014 \times (6 \text{ po } 12) 2 4$$

$$= 0,2 \text{ pi}^2$$

Le débit d'air équivaut donc à: $640 \text{ pi/min} \times 0,2 \text{ pi}^2 = 128 \text{ pi}^3/\text{min}$

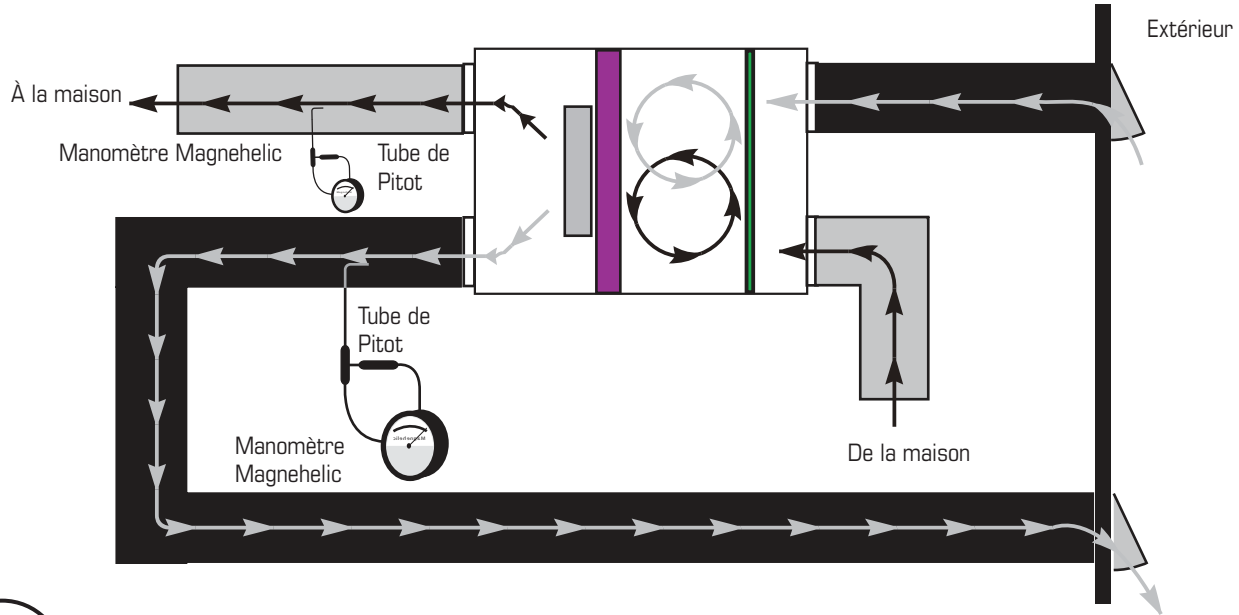
Pour votre commodité, voici la superficie de la section transversale de certains conduits ronds communs :

DIAMÈTRE DU CONDUIT (pouces)	SUPERFICIE DE LA SECTION TRANSVERSALE (pieds carrés)
5	0,14
6	0,20
7	0,27

La distance qui sépare un coude quelconque de l'endroit où les lectures sont prises a une incidence sur la précision du débit d'air indiquée. Il est possible d'augmenter la précision en faisant la moyenne de plusieurs lectures comme l'indique la documentation accompagnant le tube de Pitot.

Procédure d'équilibrage à l'aide d'un tube de pitot (Suite)

Placez le tube de Pitot à au moins 18 po du ventilateur ou des coudes.



Les raccords de conduit peuvent être différents selon le modèle.
Pour une lecture précise, le tube de Pitot doit être placé à au moins 12 po des coudes et registres des ventilateurs.

Entretien



Assurez-vous que l'appareil est débranché avant d'entreprendre toute tâche d'entretien.
Il est important d'inspecter régulièrement les composantes suivantes et de bien les entretenir.



- Pour éviter les chocs électriques, assurez-vous que l'appareil est débranché avant d'entreprendre des réparations ou des tâches de maintenance.
- Il est recommandé d'inspecter l'appareil tous les ans pour en assurer l'efficacité et un fonctionnement sans incidents. Faites fonctionner le système et vérifiez les différents modes de fonctionnement.

Filtre - Filtre MERV 8 électrostatique lavable

Le filtre doit être vérifié et nettoyé tous les trois mois ou quand ils semblent sales. Lavez dans l'eau "sudsy" chaude (détergent doux) ou un aspirateur à brosse douce. Les filtres devraient être remplacés quand ils peuvent plus n'être nettoyés correctement.

Hottes extérieur

Les capots extérieurs doivent être vérifiés chaque saison à s'assurer qu'il n'y a aucune feuille ou insecte bloquant le flux d'air. Vérifiez régulièrement qu'il n'y a aucun polluant près du capot de prise. Assurez-vous qu'il est certain de n'importe quelle accumulation de neige pendant les mois d'hiver.

Moteur

Les moteurs sont équilibrés à l'usine et graissés à vie. Aucune maintenance n'est requise.

Appareil

Nettoyez l'intérieur de l'appareil à l'aspirateur tous les ans. Évitez d'endommager les composants mécaniques et les connexions électriques.

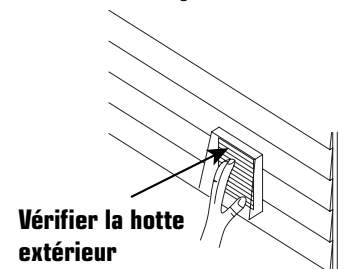
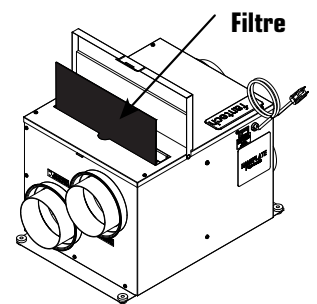
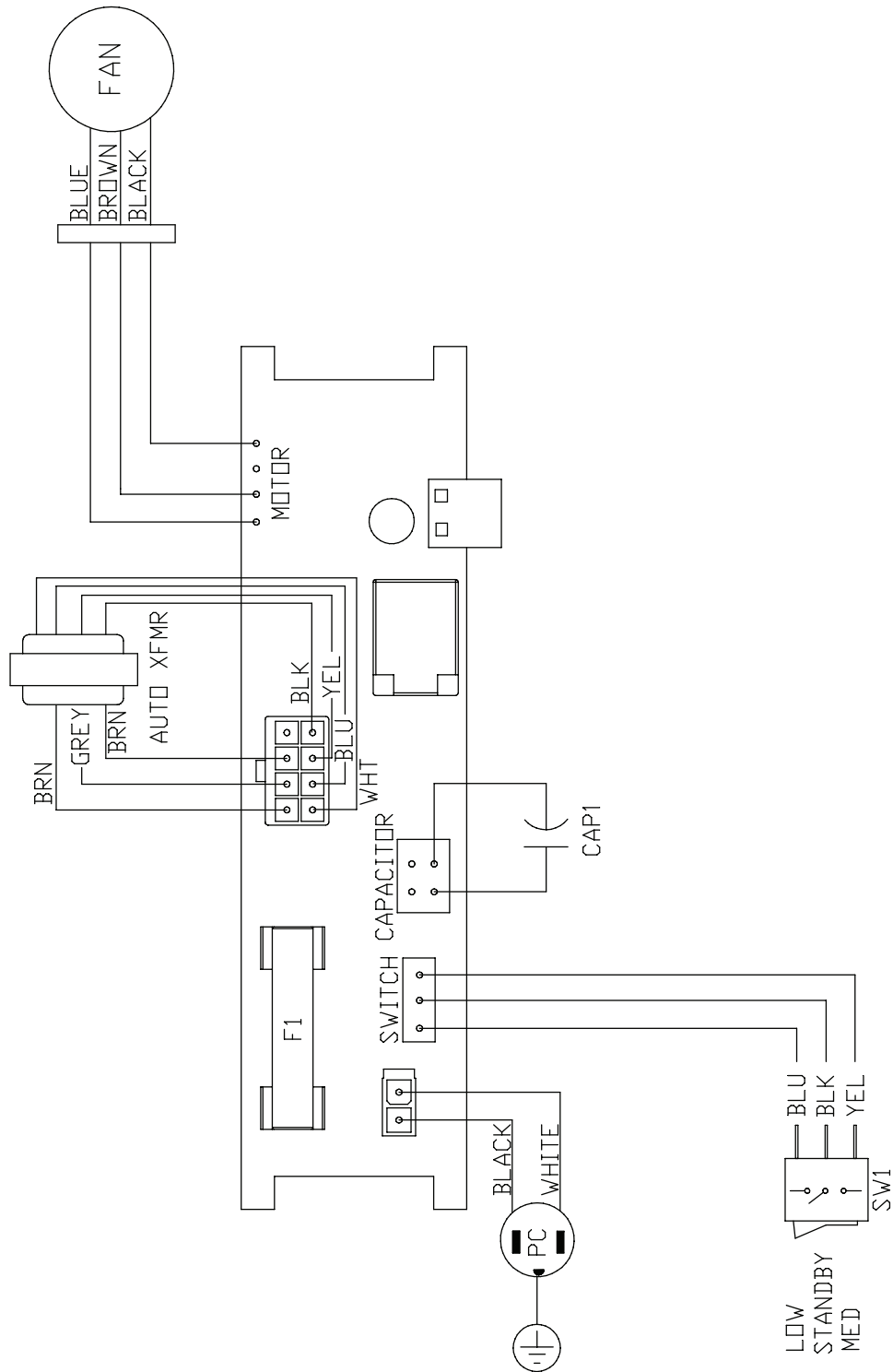


Schéma électronique



Dépannage

Problème	Causes	Solutions
L'air est trop sec	<ul style="list-style-type: none"> – Le déshumidistat est réglé trop bas – Le VRC est déséquilibré 	<ul style="list-style-type: none"> – Augmentez le niveau voulu d'humidité. Faites passer le mode de ventilation de « continu » à « attente ». – Équilibrez le EA.
L'air est trop humide	<ul style="list-style-type: none"> – Le déshumidistat est réglé trop haut – Brusque changement de température – Entreposage d'une trop grande quantité de bois de chauffage – L'évent de la sècheuse est à l'intérieur de la maison – Mauvaise circulation d'air près des fenêtres – Le EA est déséquilibré – La porte du sous-sol est fermée 	<ul style="list-style-type: none"> – Réduisez le niveau voulu d'humidité. Combinez cette méthode avec le fonctionnement de l'appareil en mode d'échange « continu ». – En hiver, attendez que la température extérieure se stabilise. Le chauffage permettra également d'améliorer la situation. – Entreposez la plus grande partie du bois de chauffage à l'extérieur. Même lorsque le bois est sec, une corde peut contenir plus de 20 gallons d'eau. – Posez l'évent de la sècheuse à l'extérieur. – Ouvrez les rideaux ou les stores. Dans le cas des fenêtre en baie, il peut être nécessaire d'utiliser un mécanisme pour y parvenir – Équilibrez le EA. – Ouvrez la porte ou posez une grille sur la porte.
Condensation permanente sur les vitres	<ul style="list-style-type: none"> – Mauvais réglage du déshumidistat – Le EA est déséquilibré 	<ul style="list-style-type: none"> – Réduisez le niveau voulu d'humidité. Combinez cette méthode avec le fonctionnement de l'appareil en mode d'échange « continu ». – Équilibrez le EA.
Mauvaise circulation d'air	<ul style="list-style-type: none"> – Les mailles de 6mm (1/4 po) de la grille des hottes extérieures sont bouchées – Les filtres sont colmatés – Le noyau est obstrué – Les grilles de la maison sont fermées ou bloquées – Le registre (le cas échéant) sont fermés – Alimentation inadéquate sur place – Mauvais réglage de la commande de vitesse – Déséquilibre du débit d'air du AE 	<ul style="list-style-type: none"> – Nettoyez les hottes extérieures ou les événements. – Enlevez le filtre et nettoyez-le. – Enlevez le noyau et nettoyez-le. – Vérifiez les grilles et ouvrez-les. – Demandez à un électricien de vérifier la tension d'alimentation de la maison. – Vérifiez le réseau de conduits. – Augmentez la vitesse du EA – Demandez au contracteur d'équilibrer le VRC
L'air fourni est froid	<ul style="list-style-type: none"> – L'emplacement des grilles d'aspiration n'est pas approprié et, par conséquent, le débit d'air peut agacer les occupants de la maison – La température extérieure est extrêmement froide 	<ul style="list-style-type: none"> – Posez les grilles à une bonne hauteur sur les murs ou sous les plinthes chauffantes; posez un diffuseur ou des grilles au plafond de sorte que l'air fourni ne soit pas soufflé directement sur les occupants (p. ex. au-dessus d'un sofa). – Diminuez la vitesse du ventilateur d'approvisionnement du EA. Il est possible d'utiliser un petit chauffe-conduit (1 kW) pour tempérer l'air fourni. – La circulation de l'air dans la maison est fonction de la disposition du mobilier ou de l'ouverture ou de la fermeture des portes – Si l'air fourni est acheminé dans la conduite de retour de la fournaise, il peut être nécessaire de faire fonctionner continuellement le ventilateur de fournaise
Le VRC et/ou les conduits se givrent	<ul style="list-style-type: none"> – Le débit d'air du EA est déséquilibré – Le système de dégivrage du EA est défectueux 	<ul style="list-style-type: none"> – Demandez au contracteur en CVC d'équilibrer le EA. – Note : Il est prévu qu'une mince couche de givre s'accumule sur les noyaux avant que l'appareil active son cycle de dégivrage.
Accumulation de condensation ou de glace sur le conduit isolé donnant sur l'extérieur	<ul style="list-style-type: none"> – Le pare-vapeur autour du conduit isolé est seulement partiellement – L'enveloppe du conduit extérieur est percée ou déchirée 	<ul style="list-style-type: none"> – Entourez tous les joints d'un ruban adhésif et scellez-les. – Réparez les trous ou les déchirures dans l'enveloppe du conduit extérieur à l'aide de ruban adhésif. – Assurez-vous que le pare-vapeur est complètement étanche.

Tableau d'entretien du EA

Entretien requis	Fréquence recommandée	Date de l'entretien					
Vérifiez et nettoyez le filtre électrostatique lavable	à chaque 3 mois, ou s'ils sont sales						
Vérifier et remplacer le filtre plissé MERV13 en option s'il est installé	à chaque 6 mois, ou s'ils sont sales						
Nettoyez l'intérieur de l'appareil à l'aspirateur	À chaque année						
Nettoyez et débloquez les hottes extérieurs	À chaque année						
Inspectez et nettoyez le système de conduits	À chaque année						
Entretien général par un contracteur certifié	À chaque année						

* L'horaire peut être modifiée au besoin. Un entretien plus fréquent pourrait être nécessaire selon la sévérité des environnements internes et externes de votre maison.

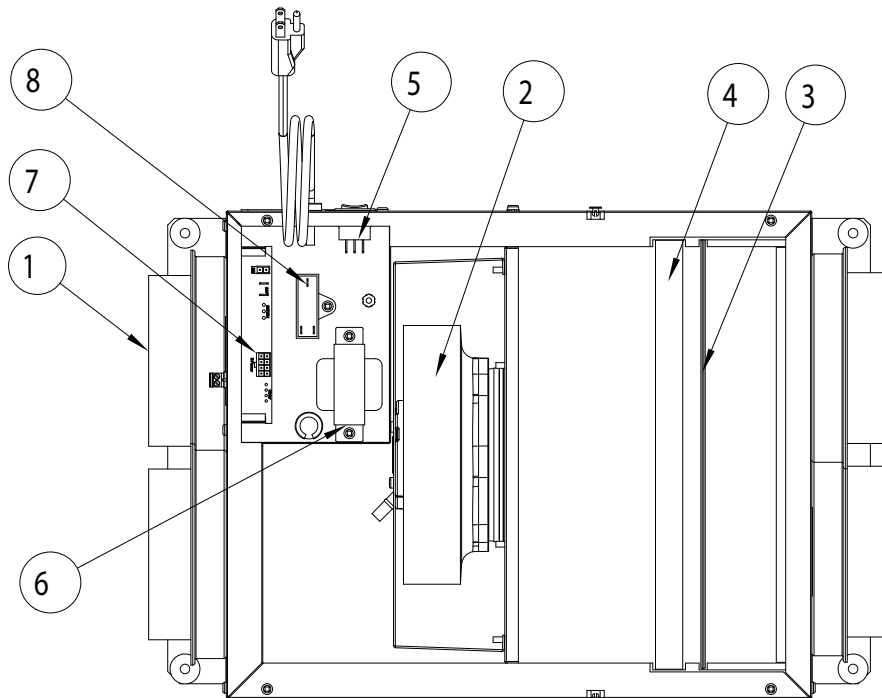
Contracteur	Numéro de téléphone	Date de l'entretien

La meilleure garantie limitée sur le marché

- Le noyau récupérateur de chaleur en polypropylène bénéficie d'une garantie à vie limitée.
- Les moteurs dont sont dotés tous les AEV ne nécessitent aucune lubrification et sont équilibrés en usine pour prévenir les vibrations et favoriser un fonctionnement silencieux.
- La garantie limitée est liée à une utilisation normale. Elle ne couvre pas les défauts, défauts de fonctionnement ou défaillances causés par une mauvaise installation, un mauvais traitement, une mauvaise manipulation, un usage incorrect, un cas fortuit ou toute autre circonstance indépendante de la volonté de Fantech.
- Une mauvaise installation ou un mauvais entretien peut entraîner l'annulation de la garantie.
- Tout travail non autorisé annule la garantie.
- Nous sommes pas responsable des dommages consécutifs à l'utilisation du système de ventilation.
- Nous sommes pas tenue d'exploiter un centre de service autorisé à proximité du domicile de l'acheteur ou dans sa région.
- Se réserve le droit de fournir des pièces remises à neuf comme pièces de rechange.
- Les frais de transport, de retrait et d'installation sont assumés par l'acheteur.
- L'acheteur est tenu de respecter tous les codes en vigueur dans sa région.
- Les pièces, y compris les pièces de rechange posées ultérieurement, sont garanties pendant 5 ans à partir de la date d'achat de l'appareil. Le moteur est garanti pendant 7 ans à partir de la date d'achat. S'il n'existe aucune preuve d'achat, la date associée au numéro de série devient la date de début de la période de garantie

* Cette garantie est la seule et unique en vigueur relative au système de ventilation; toutes les autres garanties, expresses ou implicites, sont invalides. Prière de remplir la fiche de garantie et de nous la faire parvenir dans les deux semaines suivant l'achat, sinon la garantie sera annulée.

Parts list • Liste des composantes



BOM #	Description	AEV 80 (463843)
1	Collar 5"	410529
2	Motor Assembly	405520
3	MERV8 filter	445222
4	MERV13 filter	414767
5	ON/OFF Switch	410213
6	Auto-Transformer	411963
7	PCB, AEV-CTRL, HW:A	414950
8	Capacitor	461325
	Wiring Diagram	445201
	Installation Manual	445200

Fantech reserves the right to make technical changes.
For updated documentation please refer to www.fantech.net

Fantech se réserve le droit de faire des changements techniques. Pour de la documentation à jour, s'il vous plaît se référer au www.fantech.net

Fantech®